

RADIO SET AN/VRC-12

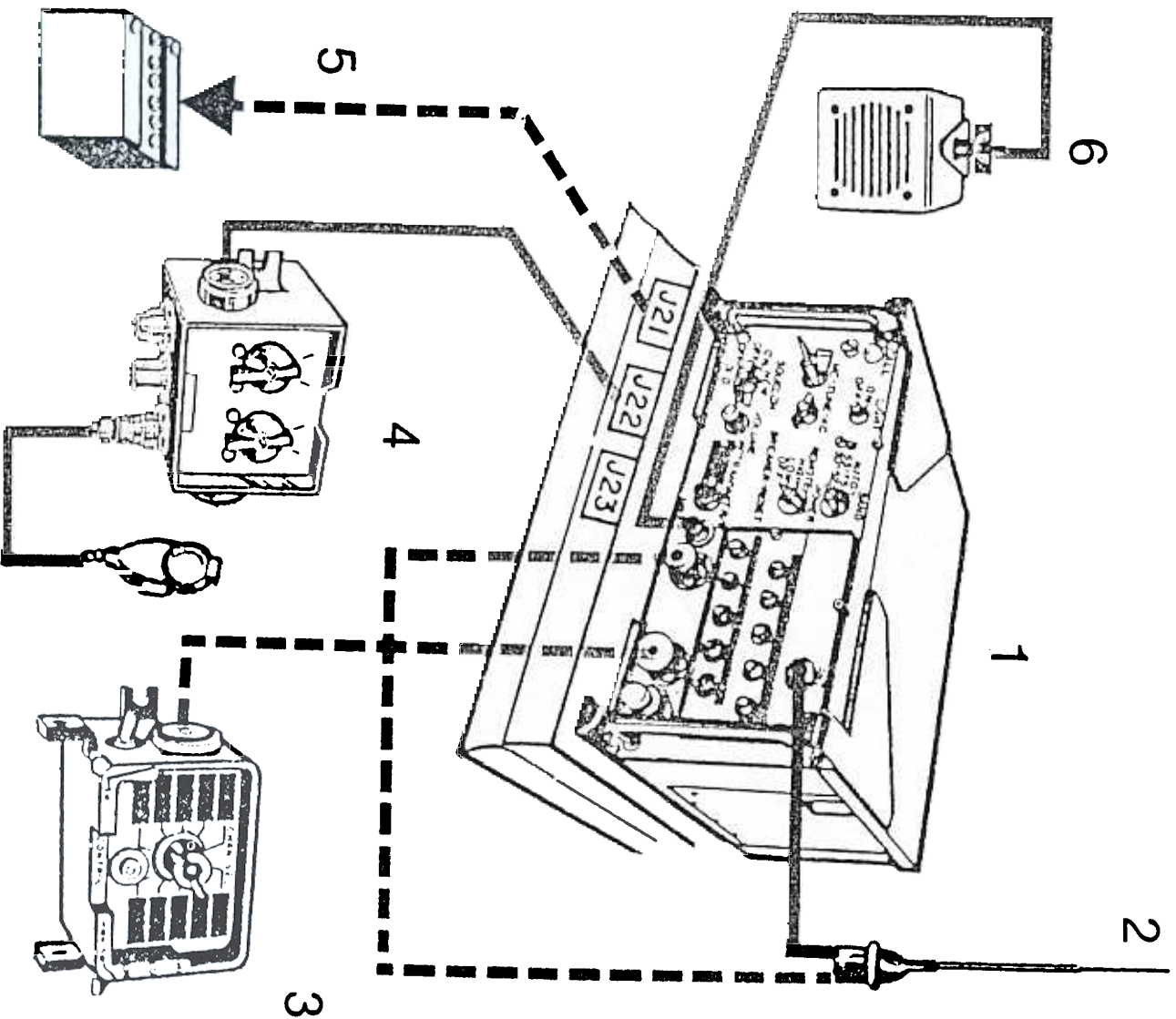
- 1 **PUSHBUTTON R-T ON VINSON R-T MOUNT.**
Mount has wired-in Interconnecting Box J3513/U.
- 2 **ANTENNA FOR THE PUSHBUTTON R-T.**
One cable feeds rf signals to and from the R-T. Other cable controls the circuits in the antenna base.
- 3 **HANDSET.**
Used for both clear and secure communications.
- 4 **VINSON COMSEC EQUIPMENT FOR THE R-T.**
- 5 **AUX RECEIVER ON VINSON AUX RECEIVER MOUNT.**
Mount has wired-in Interconnecting Box J3514/U.
- 6 **AUX RECEIVER ANTENNA.**
- 7 **AUX RECEIVER LOUDSPEAKER.**
- 8 **VINSON COMSEC EQUIPMENT FOR AUX RECEIVER.**
- 9 **POWER CABLE.**
Gets power from the vehicle's battery for the electronic equipment.
- 10 **POWER TRANSFER CABLE.**
Connects the AUX RECEIVER to the R-T for power.

NOTES

- 1 **ONLY VINSON COMSEC EQUIPMENT CAN BE USED WITH THIS HOOKUP.**
- 2 **R-T OPERATES ON ONE FREQUENCY AND THE AUX RECEIVER ON ANOTHER FREQUENCY.**

1-13.

THIS IS A TYPICAL



AUDIO
CONTROL
RF
POWER

